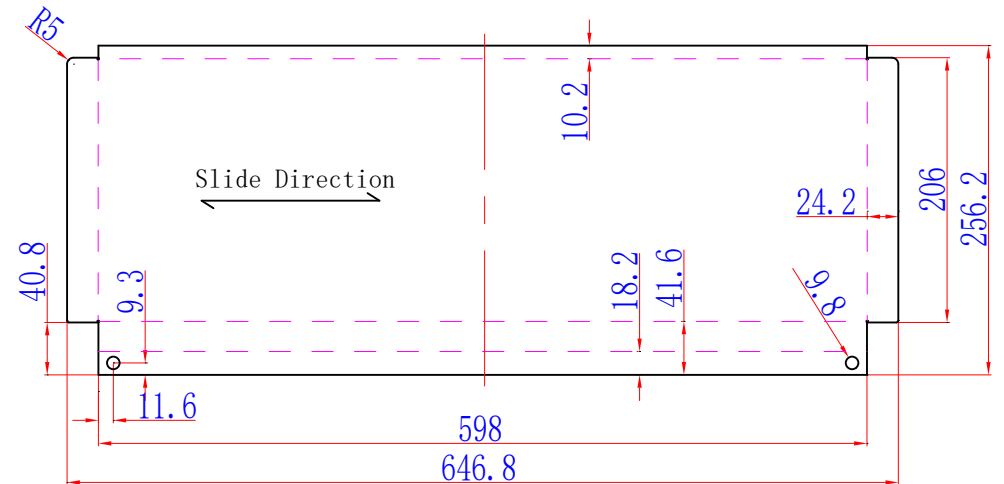
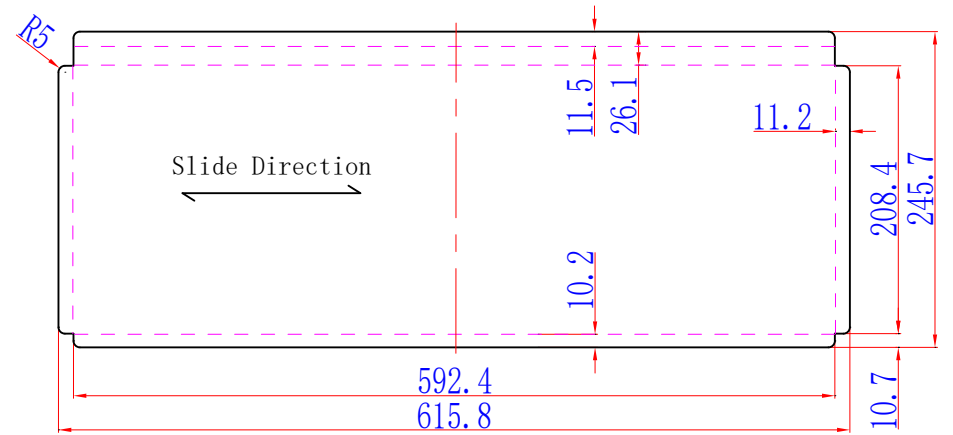
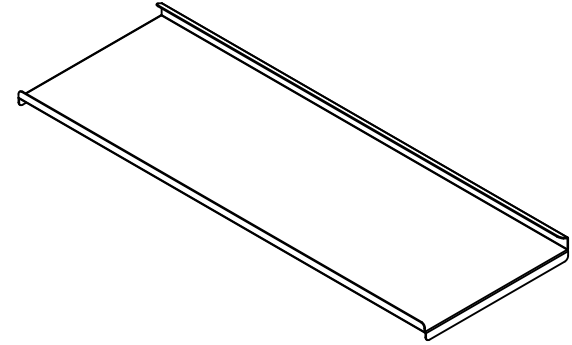
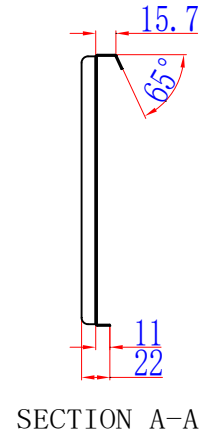
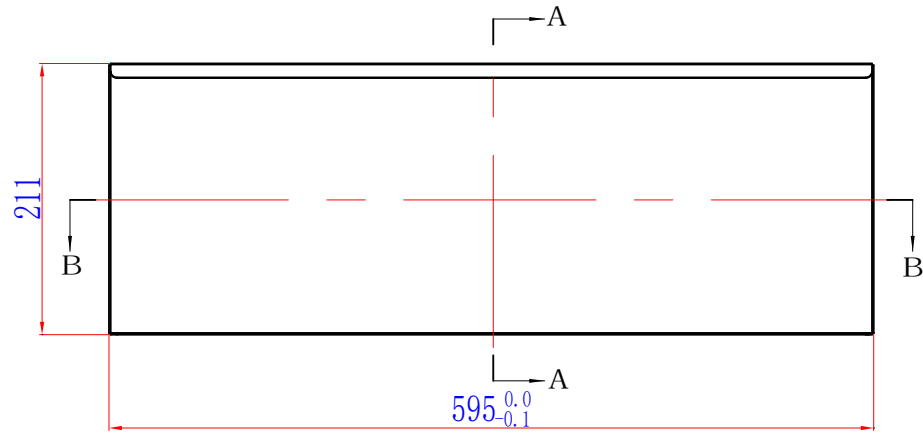


SECTION B-B

**Item 44622**



Expanded View



**Item 44622**

Expanded View